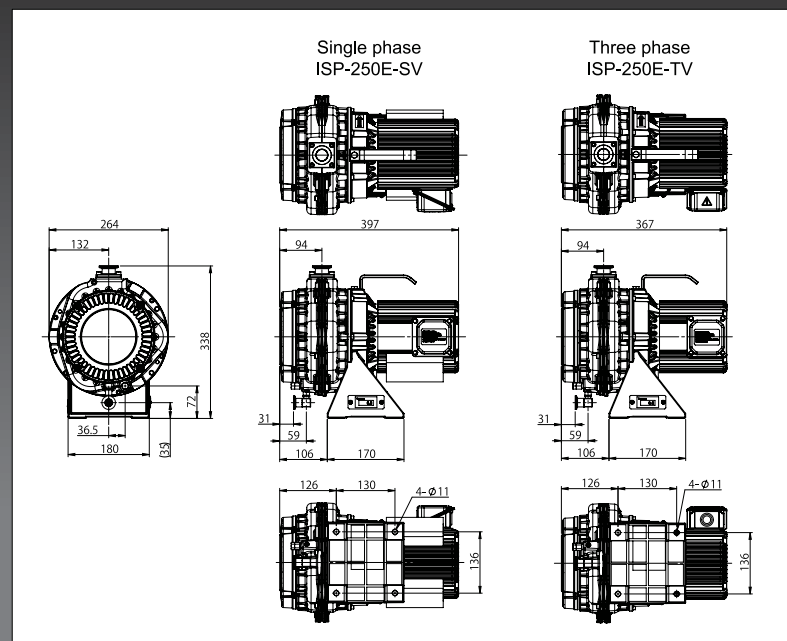


## Specifications

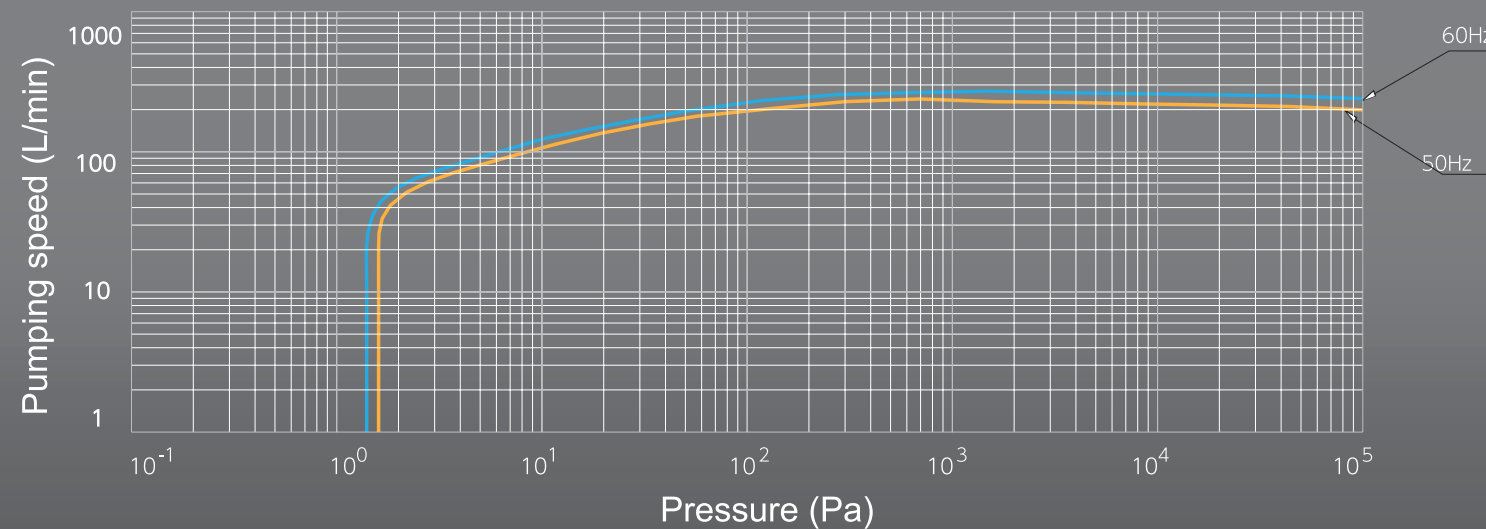
Model		ISP-250E-SV	ISP-250E-TV
Pumping speed	50Hz	L/min 250 (8.8)	300 (10.6)
	60Hz		
Ultimate pressure	Pa (Torr)	1.6 (1.2x10 <sup>-2</sup> )	
Leak tightness	Pa · m <sup>3</sup> /s	≤1.0 × 10 <sup>-7</sup>	
Voltage	V	Single phase	Three phase
		100, 115, 200, 230	200, 208, 230, 380, 400, 415, 460
Weight	kg (lbs)	25 (55)	23 (51)

## Dimensions



# VACUUM EQUIPMENT

MODEL : ISP-250E



### Precaution on usage

- This vacuum pump is suitable for clean processes only.
- Do not use explosive, flammable, toxic or corrosive substances or substances which contains chemicals, solvents or particals.
- ANEST IWATA will not perform maintenance work on pumps which have used hazardous substances.
- The thermal protector installed on a single phase motor will automatically rest after the motor has cooled down. Be sure to install overcurrent protective device.
- Do not alter or disassemble the product.
- Be sure to read instruction manual and understand it fully before use.
- The warranty period is based on instruction manual. Maintenance interval and the warranty period are different.
- Classification which is based on Foreign Exchange and Foreign Trade Control Act is necessary for export. Please contact us.

### Caution for installation

- Install in an area which is not exposed to explosives, flammable gas, or other related things.
- Pumps do not have overcurrent protective device for burnout. Install overcurrent protective device properly for safety.
- Electric source cable is not included in the pump. Use electric source cable which is instructed by instruction manual.
- Periodic maintenance is required. Please install it in a location that can be maintained and ventilated.
- The specifications in the catalogue is measured by our company standards. There is no guarantee on your conditions and applications.
- When you start and stop the pump repeatedly, it may shorten life of the product. Please contact us if you like detailed information.



Company: ANEST IWATA Air Engineering Inc.  
Address: 9525 Glades Dr.  
West Chester, Ohio 45011 USA  
Website: [www.anestiwata.com](http://www.anestiwata.com)

Phone: 513-755-5130  
Toll Free: 800-440-0282  
Fax: 513-755-1889  
Email: [vacuuminquiry@anestiwata.com](mailto:vacuuminquiry@anestiwata.com)

Industry pioneer makes  
cutting-edge technological advancement

ANEST IWATA has been the leader in the dry scroll technology since 1993, as the original developer of the air-cooled, oil-free scroll vacuum pump. Our high efficient scroll pumps have become the preferred choice in demanding high-tech applications such as synchrotron radiation, plasma physics and laboratory analyzing equipment due to low vibration, low noise, clean and more compact.

# Maintenance

## 2 year maintenance cycles

Design improvements eliminate the need for 1 year minor maintenance which help reduce total cost of ownership.

# Performance

## Improve leak tightness

Our latest generation of ISP-250E includes all new internals which help reduce leak rate and provide longer life and reliability.

# Technology

## Advanced technology

As the original developer of scroll vacuum pump, ANEST IWATA continues to lead the industry with technological advancement.



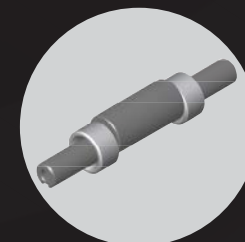
### PIN CRANK

Additional pin crank, 3 total, provides less vibration and more reliability.



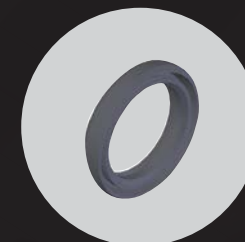
### CRANK SHAFT

Hardened stainless steel crank shaft provides longer life.



### SHAFT SEAL

New seal design provides better leak tight tolerance.



### BEARING

New longer life bearings provide stability.

